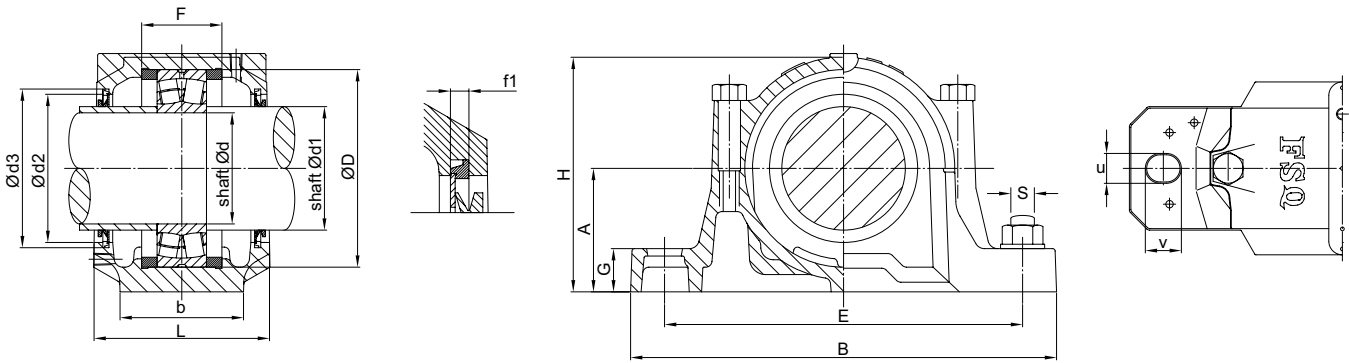


Shaft Dia. mm	Housing No.	Bearing No.		Adapter Sleeve	Sealing Arrangement *			End Cover	Locating Ring	
		Self-Alig. Ball	Spherical Roller		Standard	Alternative			Number	O'ty
					U-Lok	Double-lip Seal	Labyrinth Seal			
						TSNG	TS-U			
70	SNK 516-613	1216K	–	H216	U516	TSNG 516	TS516U	516A	140x16	2
	SNK 516-613	2216K	22216K	H316	U516	TSNG 516	TS516U	516A	140x12.5	2
	SNK 519-616	1316K	21316K	H316	U616	TSNG 616	TS616U	519A	170x14.5	2
	SNK 519-616	2316K	22316K	H2316	U616	TSNG 616	TS616U	519A	170x5	2
75	SNK 517	1217K	–	H217	U517	TSNG 517	TS517U	517A	150x16.5	2
	SNK 517	2217K	22217K	H317	U517	TSNG 517	TS517U	517A	150x12.5	2
	SNK 520-617	1317K	21317K	H317	U617	TSNG 617	TS617U	520A	180x14.5	2
	SNK 520-617	2317K	22317K	H2317	U617	TSNG 617	TS617U	520A	180x5	2
80	SNK 518-615	1218K	–	H218	U518	TSNG 518	TS518U	518A	160x17.5	2
	SNK 518-615	2218K	22218K	H318	U518	TSNG 518	TS518U	518A	160x12.5	2
	SNK 518-615	–	23218K	H2318	U518	TSNG 518	TS518U	518A	160x12.5	1
85	SNK 519-616	1219K	–	H219	U519	TSNG 519	TS519U	519A	170x18	2
	SNK 519-616	2219K	22219K	H319	U519	TSNG 519	TS519U	519A	170x12.5	2
	SNK 522-619	–	22319K	H2319	U619	TSNG 619	TS619U	522A	200x13	1
90	SNK 520-617	1220K	–	H220	U520	TSNG 520	TS520U	520A	180x18	2
	SNK 520-617	2220K	22220K	H320	U520	TSNG 520	TS520U	520A	180x12	2
	SNK 520-617	–	23220K	H2320	U520	TSNG 520	TS520U	520A	180x9.7	1
	SNK 524-620	–	22320K	H2320	U620	TSNG 620	TS620U	524A	215x13	1
100	SNK 522-619	1222K	–	H222	U522	TSNG 522	TS522U	522A	200x21	2
	SNK 522-619	2222K	22222K	H322	U522	TSNG 522	TS522U	522A	200x13.5	2
	SNK 522-619	–	23222K	H2322	U522	TSNG 522	TS522U	522A	200x10	1
110	SNK 524-620		22224K	H3124	U524	TSNG 524	TS524U	524A	215x14	2
	SNK 524-620		23224K	H2324	U524	TSNG 524	TS524U	524A	215x10	1
115	SNK 526		22226K	H3126	U526	TSNG 526	TS526U	526A	230x13	2
	SNK 526		23226K	H2326	U526	TSNG 526	TS526U	526A	230x10	1
125	SNK 528		22228K	H3128	U528	TSNG 528	TS528U	528A	250x15	2
	SNK 528		23228K	H2328	U528	TSNG 528	TS528U	528A	250x10	1
135	SNK 530		22230K	H3130	U530	TSNG 530	TS530U	530A	270x16.5	2
	SNK 530		23230K	H2330	U530	TSNG 530	TS530U	530A	270x10	1
140	SNK 532		22232K	H3132	U532	TSNG 532	TS532U	532A	290x17	2
	SNK 532		23232K	H2332	U532	TSNG 532	TS532U	532A	290x10	1

* U-Lok seal, TSNG seal, TSNA Seal and TS-U seal are interchangeable.



Housing No.	Shaft Dia.		Dimensions mm														
	d	d1	L	b	f1 H13	F H13	D H7	d2 H12	d3 H12	H	A h12	G	E	B	v	u	S
SNK 205	25	30	67	46	5	25	52	36.5	44.5	74	40	19	130	165	20	15	10
SNK 206-305	30	35	77	52	5	32	62	46.5	54.5	89	50	22	150	185	20	15	10
SNK 207	35	45	82	52	5	34	72	56.5	64.5	93	50	22	150	185	20	15	10
SNK 208-307	40	50	85	60	5	39	80	62	70.5	107	60	25	170	205	20	15	12
SNK 209	45	55	85	60	5	30	85	67	75.5	109	60	25	170	205	20	15	12
SNK 210	50	60	90	60	5	41	90	72	80.5	113	60	25	170	205	20	15	12
SNK 211	55	65	95	70	5	44	100	77	85.5	127.5	70	28	210	255	24	18	16
SNK 212	60	70	105	70	5	48	110	87	95.5	133	70	30	210	255	24	18	16
SNK 213	65	75	110	80	5	51	120	92.5	101	148.5	80	30	230	275	24	18	16
SNK 215	75	85	115	80	5	56	130	102.5	111	154.5	80	30	230	280	24	18	16
SNK 216	80	90	120	90	5	58	140	108	116.5	175.5	95	32	260	315	28	22	20
SNK 217	85	95	125	90	5	61	150	112	120.5	183	95	32	260	320	28	22	20
SNK 218	90	100	140	100	5	65	160	120	128.5	193	100	35	290	345	28	22	20
SNK 219	95	110	145	100	6	68	170	131	141	210	112	35	290	345	28	22	20
SNK 220	100	115	160	110	6	70	180	137.5	147.5	215	112	40	320	380	32	26	24
SNK 222	110	125	175	120	6	80	200	147.5	157.5	239	125	45	350	410	32	26	24
SNK 224	120	135	185	120	6	86	215	157.5	167.5	271	140	45	350	410	32	26	24
SNK 226	130	145	190	130	6	90	230	167.5	177.5	290	150	50	380	445	35	28	24
SNK 228	140	155	205	150	6	98	250	177.5	187.5	302	150	50	420	500	42	35	30
SNK 230	150	165	220	160	6	106	270	192.5	202.5	323	160	60	450	530	42	35	30
SNK 232	160	175	235	160	6	114	290	202.5	212.5	344	170	60	470	550	42	35	30