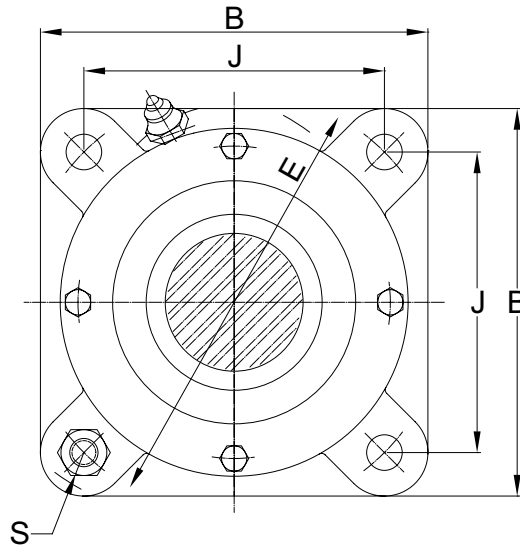


Housing No.	Shaft Dia.	Dimensions mm								
	d	D	B	G	A	E	J	LA	LB	m
	(mm)	G7								
722515A/B	65	130	190	25	95	215	152	104	104	30
722516A/B	70	140	196	25	98	215	152	110	110	31
722517A/B	75	150	210	25	105	240	170	114	114	31
722518A/B	80	160	210	25	105	240	170	118	118	30
722520A/B	90	180	250	30	125	280	198	127	127	30
722522A/B	100	200	270	30	135	310	219	137	137	30



			Bearing No.	Adapter Sleeve	Locating Ring		Felt Seal	Weight	
n	C1	S			Number	Q'ty		DA	DB
								kg	kg
27	8	M16	1215 K	H215	SR 130×8	2	FS 260	9.25	9.25
			2215 K	H315	SR 130×10	1			
			22215 CCK	H315	SR 130×10	1			
36	8.5	M16	1216 K	H216	SR 140×8.5	2	FS 330	9.90	9.50
			2216 K	H316	SR 140×10	1			
			22216 K	H316	SR 140×10	1			
37	9	M16	1217 K	H217	SR 150×9	2	FS 330	11.45	11.15
			2217 K	H317	SR 150×10	1			
			22217 CCK/W33	H317	SR 150×10	1			
38	10	M16	1218 K	H218	SR 160×10	2	FS 330	11.92	12.10
			2218 K	H318	SR 160×10	1			
			22218 CCK/W33	H318	SR 160×10	1			
41	11	M20	1220 K	H220	SR 180×10	1	FS 370	18.5	18.00
					SR 180×12	1			
			2220 K	H320	SR 180×10	1			
			22220 CCK/W33	H320	SR 180×10	1			
44	12.5	M20	1222 K	H222	SR 200×12.5	2	FS 460	22.15	21.40
			2222 K	H322	SR 200×10	1			
			22222 CCK/W33	H322	SR 200×10	1			